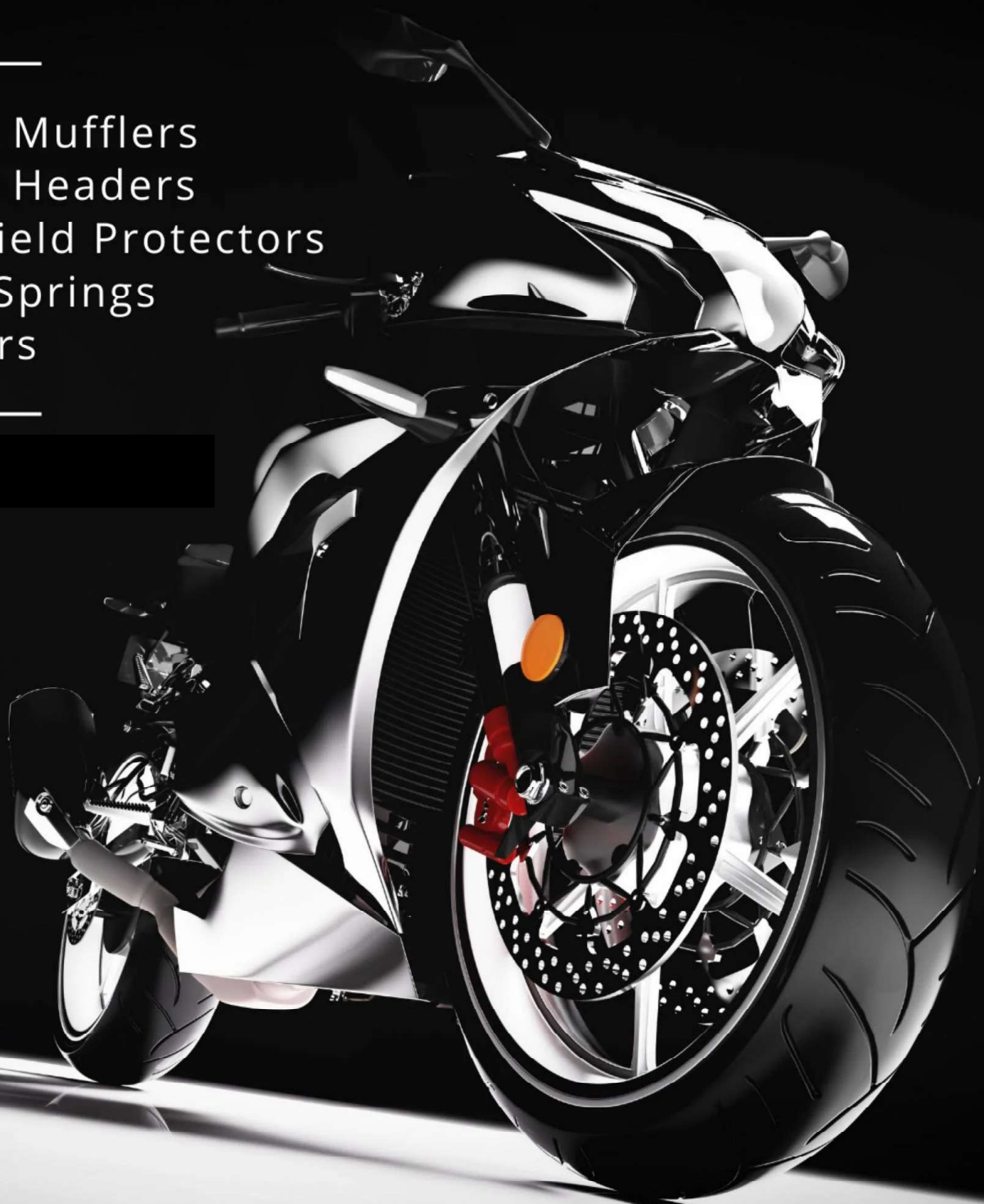


Motorbike **EXHAUST**

Exhaust Mufflers
Exhaust Headers
Heat Shield Protectors
S/Steel Springs
DB Killers



MOTORCYCLE EXHAUST MUFFLERS



Φ42

146166

S/Steel 304

Honda XR600 ALL models from '89-'96

Fit on original muffler

The exhaust header has a ridge less bend, providing a larger diameter opening, which translates to additional power and a better airflow



Φ42

146167 For Yamaha

S/Steel 304

XT600 '87-'03 / XT600K '87-'03

XT600E '87-'03 / XT600XTE 3TB '87-'03

Fit on original muffler

The exhaust header has a ridge less bend, providing a larger diameter opening, which translates to additional power and a better airflow



Φ22

Φ28

250003M

Chromed Steel / Low Sound

Chally / C50 / C50Z / C90 / GLX50 /

ASTREA 100 / SUPRA 100 /

DY50 / C70



Φ42

Φ28

250008M

Chromed Steel

Sport Sound / Full Racing

Chally / C50 / C50Z / C90 / GLX50 /

ASTREA 100 / SUPRA 100 /

DY50 / C70



Φ45

Φ32

Φ28

R25008M

Chromed Steel

Sport Sound / Full Racing / With DB Killer

Chally / C50 / C50Z / C90 / GLX50 /

ASTREA 100 / SUPRA 100 /

DY50 / C70



250001M

Chromed Steel

DB Killer

Fits on 250008M



250450L Left

250450R Right

Chromed Steel / Low Sound

HONDA CB 400N Cone Style

Body Length = 620mm

Inlet Diameter = 42mm

Body Diameter = 110mm



MOTORCYCLE EXHAUST MUFFLERS



170030
S/Steel 304 / Chrome Plated
Total Length = 500mm
Inlet Diameter = 45mm
Body Diameter = 76mm



170043
S/Steel 304 / Chrome Plated
Total Length = 500mm
Inlet Diameter = 45mm
Body Diameter = 60mm



170056-02 Right
170056-02L Left
S/Steel 304 / Titanium body
"Twister" Perforated pipe
Body Length = 435mm
Inlet Diameter = 54mm
Body Diameter = 122x97mm



170261
S/Steel 304 / Carbon
"Rossi" style
Body Length = 250mm
Inlet Diameter = 60mm
Body Diameter = 115mm
With DB Killer TD=89mm



170261-01
S/Steel 304 / Carbon
"Race F" style
Body Length = 240mm
Inlet Diameter = 60mm
Body Diameter = 101mm
With DB Killer TD = 64mm



170262
S/Steel 304
"Rossi" style
Body Length = 250mm
Inlet Diameter = 60mm
Body Diameter = 115mm
With DB Killer TD=89mm



170262-01
S/Steel 304
"Race F" style
Body Length = 240mm
Inlet Diameter = 60mm
Body Diameter = 101mm
With DB Killer TD=64mm



170307
S/Steel 304
Body Length = 400mm
Inlet Diameter = 50mm
Body Diameter = 120x98mm



175408
S/Steel 304
Brush Polished
Body Length = 270mm
Inlet Diameter = 50mm



175798
S/Steel 304
"Twister" Perforated pipe
Body Length = 300mm
Inlet Diameter = 50mm
Body Diameter = 100mm

MOTORCYCLE EXHAUST MUFFLERS



TR004A-BK
S/Steel 304 / ALUMINUM
Body Length = 370mm
Inlet Diameter = 25mm
Body Diameter = 60mm



TR007AA
ALUMINUM / Double Layer
Body Length = 280mm
Inlet Diameter = 50mm
Body Diameter = 2x60mm



TR008AA
ALUMINUM / Double Layer
Body Length = 420mm
Inlet Diameter = 50mm
Body Diameter = 2x60mm



TR011SS
S/Steel 304
Body Length = 350mm
Inlet Diameter = 50mm
Body Diameter = 80mm



TR012AA
ALUMINUM / Single Layer
Body Length = 370mm
Inlet Diameter = 50mm
Body Diameter = 3x60mm



TR013SS02-03
S/Steel 304 / Mat Black
Cap HEXAGON
Body Length = 300mm
Inlet Diameter = 50mm



TR013SS02-21
S/Steel 304 / Aluminum Black
Cap HEXAGON
Body Length = 300mm
Inlet Diameter = 50mm



TR013SS02-6
S/Steel 304 / Mat Color
Cap HEXAGON
Body Length = 300mm
Inlet Diameter = 50mm



TR013SS03-6
S/Steel 304 / Aluminum Black
Cap HEXAGON
Body Length = 300mm
Inlet Diameter = 50mm



TR015A-S
S/Steel 304 / Aluminum
Body Length = 340mm
Inlet Diameter = 25mm
Body Diameter = 100mm



TR016SS
S/Steel 304 / DB Killer
Body Length = 350mm
Inlet Diameter = 50mm
Body Diameter = 76mm



TR016SS-R
S/Steel 304 / BURNED / DB Killer
Body Length = 350mm
Inlet Diameter = 50mm
Body Diameter = 76mm

MOTORCYCLE EXHAUST MUFFLERS



TR017SS-1
S/Steel 304 / Mat-Aluminum
Black Cap
Body Length = 300mm
Inlet Diameter = 50mm
Body Diameter = 100mm



TR020SS
S/Steel 304 / Mat
Body Length = 300mm
Inlet Diameter = 50mm
Body Diameter = Pentagon



TR022SS-1
S/Steel 304
Body Length = 400mm
Inlet Diameter = 50mm
Body Diameter = HEXAGON



TR030SS
Chrome Plated
Body Length = 410mm
Inlet Diameter = 38mm
Body Diameter = 64mm



TR031SS
Mild Steel / Chrome Plated
Body Length = 440mm
Inlet Diameter = 36-45mm
Body Diameter = 101mm



TR031SS-B
Mild Steel / Black Painted
Body Length = 440mm
Inlet Diameter = 36-45mm
Body Diameter = 101mm



TR032SS
S/Steel 304 / Mat Black
Body Length = 540mm
Inlet Diameter = 38-45mm
Body Diameter = 64mm



TR033SSL Left
TR033SSR Right
Chrome Plated
Body Length = 560mm
Inlet Diameter = 36-45mm
Body Diameter = 64mm



TR034CC-1
S/Steel 304 / Mat-Carbon
Cap HEXAGON
Body Length = 400mm
Inlet Diameter = 50mm



TR037A-S
S/Steel 304 / Aluminum
Body Length = 300mm
Inlet Diameter = 25mm
Body Diameter = 60mm



TR041A-BK
S/Steel 304 / Aluminum
Material ABS / **With DB Killer**
Body Length = 300mm
Inlet Diameter = 38mm
Body Diameter = 100 x 90mm

MOTORCYCLE EXHAUST MUFFLERS



Carbon Look

TR041A-CC

S/Steel 304 / Aluminum
Material ABS / With DB Killer
Body Length = 300mm
Inlet Diameter = 38mm
Body Diameter = 100 x 90mm



TR041C

Carbon / Material ABS
With DB Killer
Body Length = 300mm
Inlet Diameter = 38mm
Body Diameter = 100x90mm



NEW

TR041SS-4

S/Steel 304 Mat / Carbon Cover
With DB Killer
Body Length = 350mm
Inlet Diameter = 50mm
Body Diameter = PENTAGON



TR043A-GY

S/Steel 304 / Anodized Aluminum
Body Length = 280mm
Inlet Diameter = 50mm
Body Diameter = 105 x 95mm



NEW

TR043SS-3

S/Steel 304 / 'Cone Style'
Body Length = 400mm
Inlet Diameter = 38mm-45mm
Body Diameter = 100mm



TR043SS220

S/Steel 304
Body Length = 220mm
Inlet Diameter = 50mm
Body Diameter = 105x95mm



NEW

TR044SS-1

Chrome Plated
Body Length = 440mm
Inlet Diameter = 36mm-45mm
Body Diameter = 80mm



NEW

TR045SS-1

Aluminum Cap / Chopper Style
Body Length = 460mm
Inlet Diameter = 38-45mm
Body Diameter = 80mm



NEW

TR046CC-1

Body Length = 290mm
Inlet Diameter = 50mm
Body Diameter = 100mm
Carbon Cap Cone



TR048SS-60

Body Length = 350mm
Inlet Diameter = 60mm
Body Diameter = 125x95mm
Stainless Steel / DB Killer



TR051SS

Body Length = 300mm
Inlet Diameter = 50mm
Body Diameter = 100mm
Stainless Steel / DB Killer



TR058C-51

Body Length = 300mm
Inlet Diameter = 50mm
Body Diameter = Hexagon
Stainless Steel / Carbon
With DB Killer

MOTORCYCLE EXHAUST MUFFLERS



TR058C-CNC
 Body Length = 300mm
 Inlet Diameter = 50mm
 Body Diameter = Hexagon
 Aluminum / Carbon
 With DB Killer



TR058SSCNC
 Body Length = 300mm
 Inlet Diameter = 50mm
 Body Diameter = Hexagon
 S/Steel / Aluminum
 With DB Killer



TR059A-S
 Body Length = 300mm
 Inlet Diameter = 50mm
 Body Diameter = 100mm
 Stainless Steel / Aluminum
 With DB Killer



TR061A-T
 Body Length = 430mm
 Inlet Diameter = 60mm
 Body Diameter = 110mm
 Stainless Steel / Aluminum
 With DB Killer



TR062CC-1
 Body Length = 330mm
 Inlet Diameter = 50mm
 Body Diameter = HEXAGON
 Stainless Steel Mat-Carbon Cap



TR063SS
 Body Length = 300mm
 Inlet Diameter = 38mm
 Body Diameter = 100x90mm
 Stainless Steel / Material ABS
 With DB Killer



TR064SS
 Body Length = 330mm
 Diameter = 50mm
 Body Diameter = 90mm
 Stainless Steel / With DB Killer



TR064SS-02
 Body Length = 400mm
 Diameter = 50mm
 Body Diameter = 90mm
 Stainless Steel / With DB Killer



TR064SS-04A
 Body Length = 200mm
 Inlet Diameter = 50mm
 Body Diameter = Hexagon
 Carbon / With DB Killer



TR064SS-04B
 Body Length = 200mm
 Inlet Diameter = 50mm
 Body Diameter = 110mm
 Stainless Steel Burned



TR0644SS-04
 Body Length = 200mm
 Inlet Diameter = 50mm
 Body Diameter = 110mm
 Stainless Steel



TR064SS-06
 Body Length = 200mm
 Inlet Diameter = 50mm
 Body Diameter = Hexagon
 Stainless Steel / With DB Killer

MOTORCYCLE EXHAUST MUFFLERS



TR065CC-1
 Body Length = 330mm
 Inlet Diameter = 50mm
 Body Diameter = 125x100mm
 Aluminum Silver / Carbon Cap
 With DB Killer



TR065CC-3
 Body Length = 300mm
 Inlet Diameter = 50mm
 Body Diameter = 100mm
 S/Steel / Aluminum
 With DB Killer



TR065SS
 Body Length = 320mm
 Inlet Diameter = 50mm
 Body Diameter = 115x95mm
 Stainless Steel / With DB Killer



TR065SS-3
 Body Length = 300mm
 Inlet Diameter = 50mm
 Body Diameter = 90mm
 S/Steel Burned



TR066SS
 Body Length = 270mm
 Inlet Diameter = 50mm
 Body Diameter = 100mm
 S/Steel / Aluminum
 With DB Killer



TR068SS
 Body Length = 160mm
 Inlet Diameter = 50mm
 Body Diameter = 90mm
 Stainless Steel



TR069SS-T
 Body Length = 300mm
 Inlet Diameter = 50mm
 Body Diameter = Hexagon
 S/Steel / Aluminum Black Cap
 With DB Killer



TR073SS-1
 Body Length = 490mm
 Inlet Diameter = 38mm-45mm
 Body Diameter = 76mm
 Chromed 'Bullet Style' Quiet



TR074SS-01
 Body Length = 240mm
 Inlet Diameter = 50mm
 Body Diameter = 105x80mm
 S/Steel / With DB Killer



TR078SS
 Body Length = 300mm
 Inlet Diameter = 50mm
 Body Diameter = 2x64mm
 S/Steel / With DB Killer



TR080SS
 Body Length = 220mm
 Inlet Diameter = 50mm
 Body Diameter = Hexagon
 S/Steel / Carbon Cap
 With DB Killer



TR080SS-02
 Body Length = 220mm
 Inlet Diameter = 50mm
 Body Diameter = Hexagon
 S/Steel / Aluminum
 With DB Killer

MOTORCYCLE EXHAUST MUFFLERS



TR080SS-03
 Body Length = 220mm
 Inlet Diameter = 50mm
 Body Diameter = Hexagon
 Carbon / With DB Killer



TRW219S
 For Honda Dio 50
 S/Steel / Aluminum



TRM1-28 TRM1-50
TRM1-38 TRM1-54
TRM1-45 TRM1-60
 S/Steel 304

Body Length = 300mm
 Inlet Diameter = 28/38/45/50/54/60mm
 Body Diameter = 130x95mm



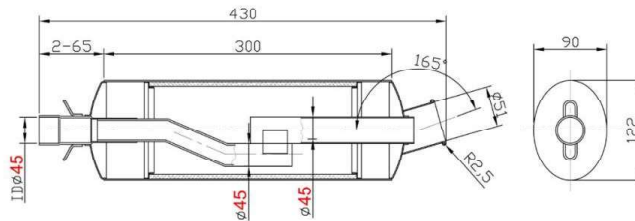
TRM2-50
TRM2-54
TRM2-60
 S/Steel 304

Body Length = 200mm
 Inlet Diameter = 50/54/60mm
 Body Diameter = 130x95mm



TRM3-45
TRM3-50

S/Steel 304
 Low Sound Construction
 Body Length = 300mm
 Inlet Diameter = 45/50mm
 Body Diameter = 122x90mm



"Every motorcycle ride is a tiny vacation"
 Anonymous

MOTORCYCLE SPARE PARTS

S/Steel Springs



TR-02
S/Steel Spring Hanger



SPR65
S/Steel Spring
Body Length = 65mm



TR1002
S/Steel Spring
Body Length = 75mm



TR-H009
S/Steel Spring
with Hanger



TR-H027-1
S/Steel spring with
Plastic Cover
Body Length = 85mm



TR-H027-2
S/Steel spring with
Plastic Cover
Body Length = 60mm

S/Steel Clamps



TR1001
Stainless Steel Clamp
Body Diameter = 130x85mm



TR1001-OC
Stainless Steel Clamp
Body Diameter = 133x98mm
Off Center



TR-H006
S/Steel Clamp ϕ 100



TR-H007
S/Steel Clamp 130x100



TR-SR
High Temperature Silicone
rubber for Moto Clamps
Length = 345mm x 32mm

DeciBel Killers (DB Killer)



DBK42-80
DBK45-80
DBK48-80
Body Length = 80mm
Inlet Diameter = 42/45/48mm



DBK35-135 **DBK48-135**
DBK42-135 **DBK60-135**
DBK45-135
Body Length = 135mm
Inlet Diameter = 35/42/45/48/60mm



45K1-64
Body Length = 155mm
Inlet Diameter = 45mm
Body Diameter = 60mm
Fits 170261-01 & 170262-01



TD-54
Body Length = 150mm
Inlet Diameter = 30mm
Body Diameter = 52mm
Fits TRM1-54 & TRM2-54

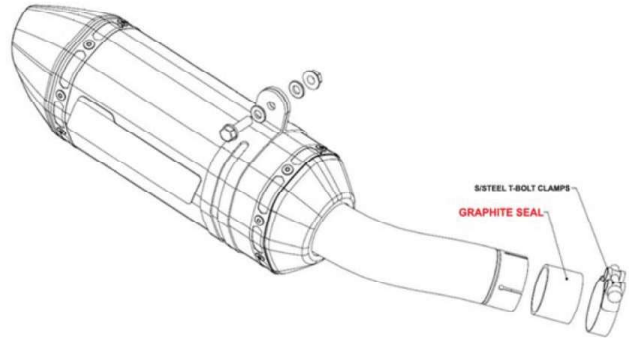
MOTORCYCLE SPARE PARTS

Graphite Exhaust Seals



- GS22-30** ID:22mm OD:30mm
- GS29-35** ID:29mm OD:35mm
- GS30-35** ID:30mm OD:35mm
- GS32-38** ID:32mm OD:38mm
- GS32-40** ID:32mm OD:40mm
- GS35-40** ID:35mm OD:40mm
- GS35-42** ID:35mm OD:42mm

- GS38-46** ID:38mm OD:46mm
- GS38-48** ID:38mm OD:48mm
- GS39-45** ID:39mm OD:45mm
- GS45-50** ID:45mm OD:50mm
- GS50-55** ID:50mm OD:55mm
- GS55-60** ID:55mm OD:60mm



Motorcycle Exhaust Heat Protector



255092
Motorcycle Exhaust Heat Protector Cover Carbon Fiber



TR-H003R
S/Steel Heat Protector Cover Burned - Rainbow
Body Diameter = 145x70mm



TR-H003S
S/Steel Heat Protector Cover Silver
Body Diameter = 145x70mm



TR-H004
Heat Protector Cover for Retro Bikes - Black
Body Diameter = 183x70mm



TR-H015
Carbon Heat Protector Cover Curved - Glossy
Body Diameter = 195x75mm



TR-H015A
Carbon Heat Protector Cover Curved - Matt
Body Diameter = 195x75mm



TR-H015E
Carbon Heat Protector Cover
Body Diameter = 130x60mm